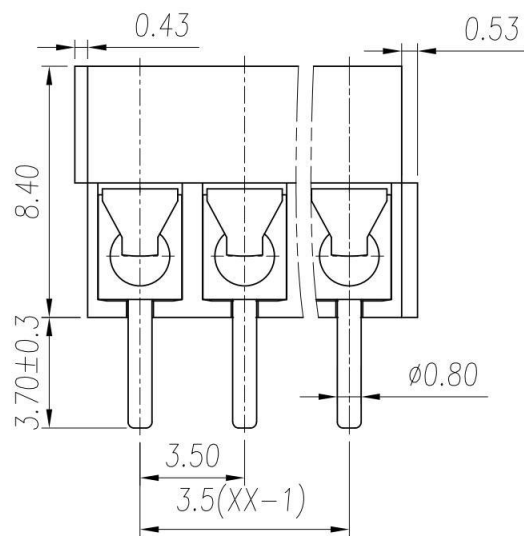
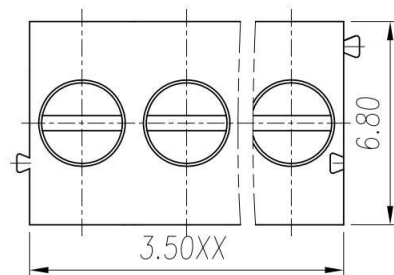
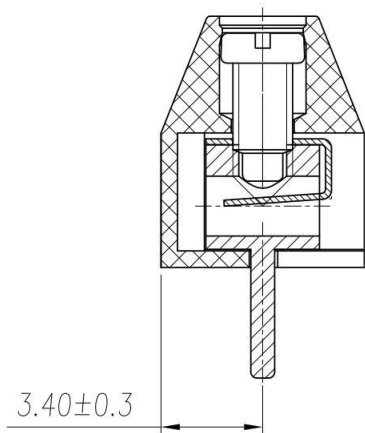


P.C.B. LAYOUT



REVISION RECORD				
REV.	DESCRIPTION	ECN No.	APPROVED	DATE

UL/CUL 技术参数		UL/CUL Technical Data			
等级	Use Group	B	C	D	
额定电压	Rated Voltage [V]	125	-	-	
额定电流	Rated Current [A]	10	-	-	
接线范围	Wire Range				
单/多芯线	Solid/Stranded [AWG]				24-18
耐电压	Withstanding Voltage				1250V/1Min
IEC 技术参数		IEC Technical Data			
过电压类别	Overvoltage Category	III	III	II	
污染等级	Contamination Class	3	2	2	
额定电压	Rated Voltage [V]	160	250	320	
额定电流	Rated Current [A]	13.5	13.5	13.5	
额定冲击电压	Impulse withstand voltagea [KV]	2.5	2.5	2.5	
导线截面积	Conductor cross section				0.5-1.0
硬质/柔性导线	Solid/flexible [mm ²]				
材料		Material			
绝缘材料	Insulation Material				PA66
阻燃等级	Imflammability				UL94V-0
导体材料	Contacting Material				铜合金 Copper alloy
导体表面镀层	Contactive Coating				镀锡 Sn Plated
一般参数		Other Data			
间距	Pitch /极数 Poles [mm] / [P]				3.5 / 02-24
剥线长度	Stripping Length [mm]				5-6
螺丝	Screw/扭矩 Torque(Max) [N.m]				M2/0.2
工作温度	Operating temperatur [°C]				-40~105
引针尺寸	Pin Dimensions [mm]				Ø0.8
PCB板孔径	PCB Hole Diameter [mm]				Ø1.0

linear dimension(Tolerances Standard GB/T 14486-2008)										
variable range	to 6	over 6 to 10	over 10 to 30	over 30 to 60	over 60 to 100	over 100 to 160	over 160 to 10	over 10 to 100	over 100 to 100	
tolerance	±0.20	±0.30	±0.50	±0.70	±1.00	±1.30	±1.60	0.10	0.30	0.60

Contact:sales@nbkafeng.com

单位 / UNITS	mm	尺寸 / SIZE	A4	比例 / SCALE	4:1	第三视角 / THIRD ANGLE PROJECTION	版本 / REV	V0
宁波咖峰电子有限公司 NINGBO KAFENG ELECTRONIC CO., LTD							名称 / TITLE	KF350-3.5-XXP