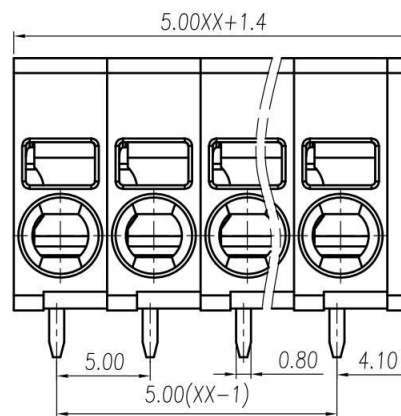
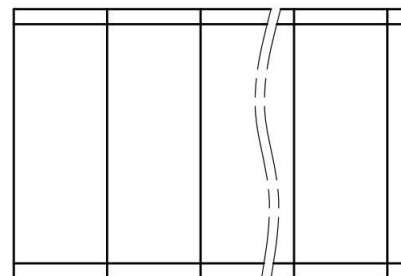
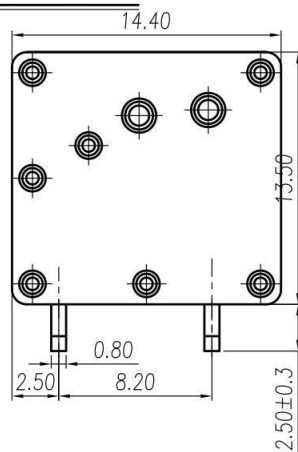


P.C.B. LAYOUT



REVISION RECORD

| REV. | DESCRIPTION | ECN No. | APPROVED | DATE |
|------|-------------|---------|----------|------|
| | | | | |
| | | | | |
| | | | | |
| | | | | |

| | | | | |
|--|------------------|-----|-----|--|
| UL/CUL 技术参数 UL/CUL Technical Data | | | | |
| 等级 Use Group | B | C | D | |
| 额定电压 Rated Voltage [V] | 300 | - | 300 | |
| 额定电流 Rated Current [A] | 20 | - | 10 | |
| 接线范围 Wire Range 单/多芯线 Solid/Stranded [AWG] | 24~12 | | | |
| 耐电压 Withstanding Voltage | 1600V/1Min | | | |
| IEC 技术参数 IEC Technical Data | IEC60947-7-4 | | | |
| 过电压类别 Overvoltage Category | III | III | II | |
| 污染等级 Contamination Class | 3 | 2 | 2 | |
| 额定电压 Rated Voltage [V] | 250 | 400 | 630 | |
| 额定电流 Rated Current [A] | 24 | 24 | 24 | |
| 额定冲击电压 Impulse withstand voltagea [KV] | 4.0 | 4.0 | 4.0 | |
| 导线截面积 Conductor cross section 硬质/柔性导线 Solid/flexible [mm ²] | 0.2~4.0/0.2~2.5 | | | |
| 材料 Material | | | | |
| 绝缘材料 Insulation Material | PA66 | | | |
| 阻燃等级 Imflammability | UL94V-0 | | | |
| 导体材料 Contactor Material | 铜合金 Copper alloy | | | |
| 导体表面镀层 Contactive Coating | 镀锡 Sn Plated | | | |
| 一般参数 Other Data | | | | |
| 间距 Pitch /极数 Poles [mm]/[P] | 5.0/1~30 | | | |
| 剥线长度 Stripping Length [mm] | 9~10 | | | |
| 螺丝 Screw/扭矩 Torque(Max) [N.m] | / | | | |
| 工作温度 Operating temperatur [°C] | -40~105 | | | |
| 引针尺寸 Pin Dimensions [mm] | 0.8*0.8 | | | |
| PCB板孔径 PCB Hole Diameter [mm] | Ø1.3 | | | |

linear dimension(Tolerances Standard GB/T 14486-2008)

| variable range | to 6 | over 6 to 10 | over 10 to 30 | over 30 to 60 | over 60 to 100 | over 100 to 160 | over 160 to 10 | over 10 to 100 | over 100 to 100 | |
|----------------|-------|--------------|---------------|---------------|----------------|-----------------|----------------|----------------|-----------------|------|
| tolerance | ±0.20 | ±0.30 | ±0.50 | ±0.70 | ±1.00 | ±1.30 | ±1.60 | 0.10 | 0.30 | 0.60 |

Contact:sales@nbkafeng.com

| | | | | | | | | |
|---|----|---------|----|----------|-----|-----------------------------|--------|----|
| 单位/UNITS | mm | 尺寸/SIZE | A4 | 比例/SCALE | 5:2 | 第三视角/THIRD ANGLE PROJECTION | 版本/REV | V0 |
| 名称/TITLE | | | | | | | | |
| 宁波咖峰电子有限公司 NINGBO KAFENG ELECTRONIC CO., LTD | | | | | | KF241R-5.0-XXP | | |