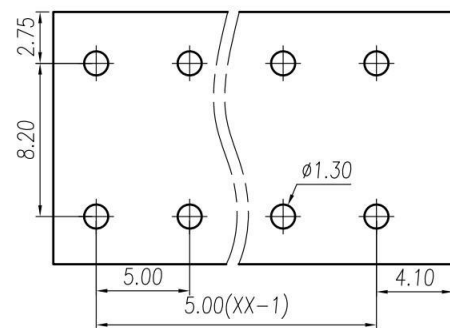
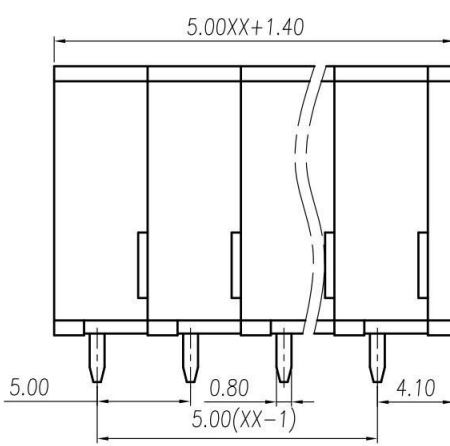
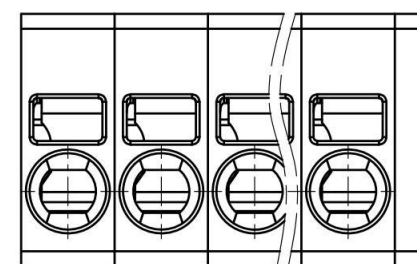
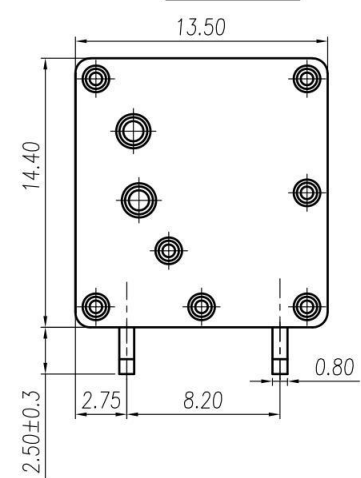


REVISION RECORD

REV.	DESCRIPTION	ECN No.	APPROVED	DATE



P.C.B. LAYOUT



UL/CUL 技术参数 UL/CUL Technical Data				
等级 Use Group	B	C	D	
额定电压 Rated Voltage [V]	300	-	300	
额定电流 Rated Current [A]	20	-	10	
接线范围 Wire Range 单/多芯线 Solid/Stranded [AWG]	24~12			
耐电压 Withstanding Voltage	1600V/1Min			
IEC 技术参数 IEC Technical Data	IEC60947-7-4			
过电压类别 Overvoltage Category	III	III	II	
污染等级 Contamination Class	3	2	2	
额定电压 Rated Voltage [V]	250	400	630	
额定电流 Rated Current [A]	24	24	24	
额定冲击电压 Impulse withstand voltagea [KV]	4.0	4.0	4.0	
导线截面积 Conductor cross section 硬质/柔性导线 Solid/flexible [mm ²]	0.2~4.0/0.2~2.5			
材料 Material				
绝缘材料 Insulation Material	PA66			
阻燃等级 Imflammability	UL94V-0			
导体材料 Contactor Material	铜合金 Copper alloy			
导体表面镀层 Contactive Coating	镀锡 Sn Plated			
一般参数 Other Data				
间距 Pitch /极数 Poles [mm]/[P]	5.0/1~30			
剥线长度 Stripping Length [mm]	9~10			
螺丝 Screw/扭矩 Torque(Max) [N.m]	/			
工作温度 Operating temperatur [°C]	-40~105			
引针尺寸 Pin Dimensions [mm]	0.8*0.8			
PCB板孔径 PCB Hole Diameter [mm]	Ø1.3			

linear dimension(Tolerances Standard GB/T 14486-2008)							— □ ⊥			
variable range	to 6	over 6 to 10	over 10 to 30	over 30 to 60	over 60 to 100	over 100 to 160	to 10	over 10 to 100	over 100 to	
tolerance	±0.20	±0.30	±0.50	±0.70	±1.00	±1.30	±1.60	0.10	0.30	0.60

Contact:sales@nbkafeng.com

单位/UNITS	mm	尺寸/SIZE	A4	比例/SCALE	5:2	第三视角/THIRD ANGLE PROJECTION	版本/REV	V0
名称/TITLE								
宁波咖峰电子有限公司 NINGBO KAFENG ELECTRONIC CO.,LTD						KF241V-5.0-XXP		