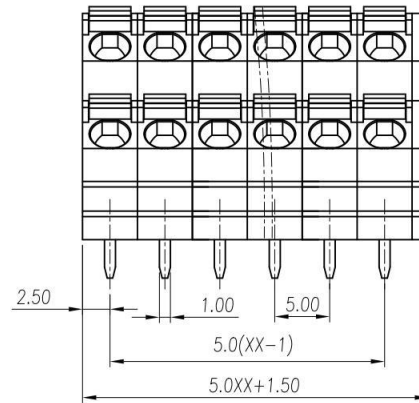
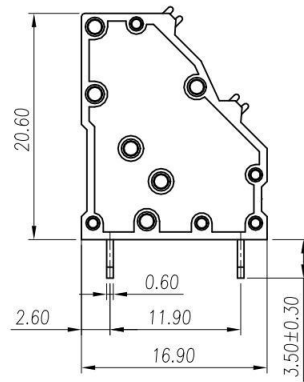
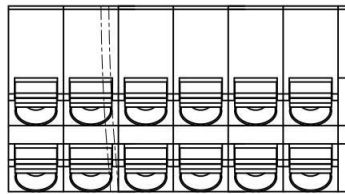
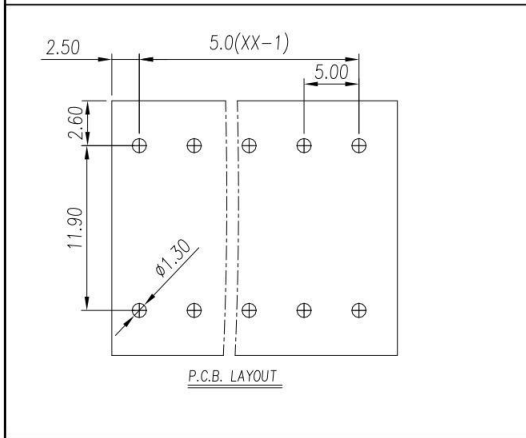


REVISION RECORD				
REV.	DESCRIPTION	ECN No.	APPROVED	DATE



UL/CUL 技术参数				
UL/CUL	Technical Data	UL1059		
等级	Use Group	B	C	D
额定电压	Rated Voltage [V]	300	-	300
额定电流	Rated Current [A]	10	-	10
接线范围	Wire Range	28-16		
单/多芯线	Solid/Stranded [AWG]	28-16		
耐电压	Withstanding Voltage	1600V/1Min		
IEC 技术参数				
IEC Technical Data		IEC60947-4		
过电压类别	Overtoltage Category	III	III	II
污染等级	Contamination Class	3	2	2
额定电压	Rated Voltage [V]	320	320	320
额定电流	Rated Current [A]	17.5	17.5	17.5
额定冲击电压	Impulse withstand voltagea [KV]	4.0		
导线截面积	Conductor cross section	0.2-1.5		
硬质/柔性导线	Solid/flexible [mm ²]	0.2-1.5		
材料 Material				
绝缘材料	Insulation Material	PA66		
阻燃等级	Imflammability	UL94V-0		
导体材料	Contactur Material	铜合金 Copper alloy		
导体镀层	Contactive Coating	镀锡 Sn Plated		
一般参数 Other Data				
间距	Pitch [mm]	5.0		
极数	Poles [P]	2*01-2*24		
剥线长度	Stripping Length [mm]	8-9		
焊锡温度	Soldering temperature[°C]	260°C/5S		
引针尺寸	Pin Dimensions	0.6*1.0		
PCB板孔径	PCB Hole Diameter	Ø1.3		
工作温度	Operating temperatur [°C]	-40~105		

linear dimension(Tolerances Standard GB/T 14486-2008)										
variable range	to 6	over 6 to 10	over 10 to 30	over 30 to 60	over 60 to 100	over 100 to 160	over 160 to 200	over 200 to 300	over 300 to 500	
tolerance	±0.20	±0.30	±0.50	±0.70	±1.00	±1.30	±1.60	0.10	0.30	0.60

Contact:sales@nbkafeng.com

单位/UNITS	mm	尺寸/SIZE	A4	比例/SCALE	1:1	第三视角/THIRD ANGLE PROJECTION	版本/REV	V0
							名称/TITLE	KF252T2-5.0-2*XXP
宁波咖峰电子有限公司 NINGBO KAFENG ELECTRONIC CO., LTD								