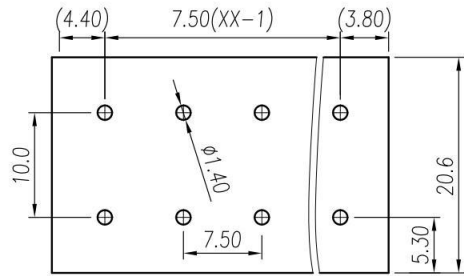
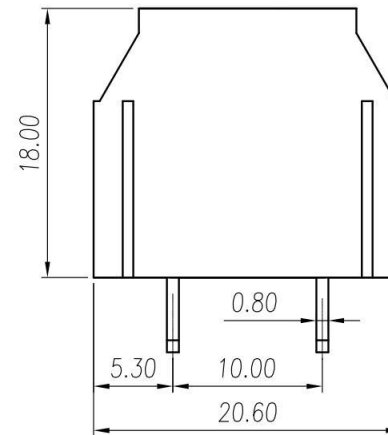
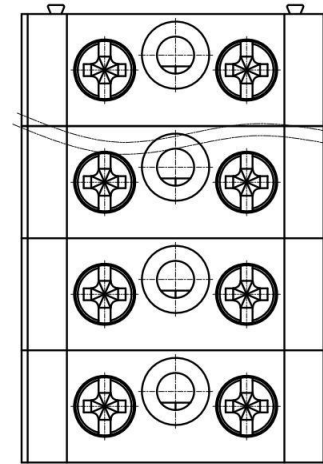
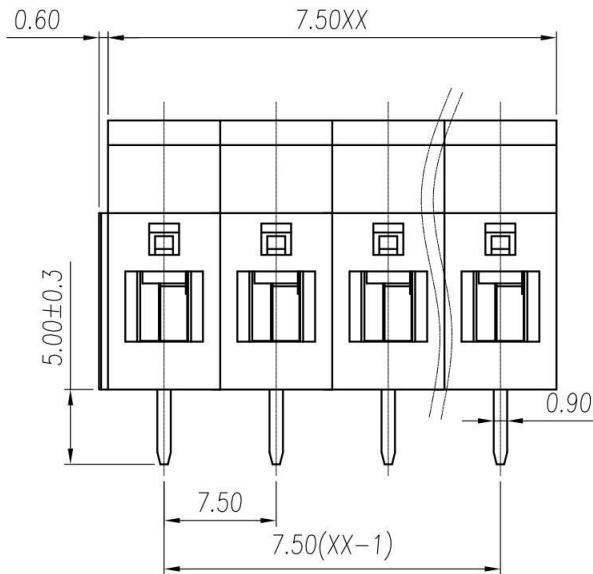


REVISION RECORD

REV.	DESCRIPTION	ECN No.	APPROVED	DATE



P.C.B. LAYOUT



UL/CUL 技术参数		UL/CUL Technical Data		
等级	Use Group	B	C	D
额定电压	Rated Voltage [V]	300	-	300
额定电流	Rated Current [A]	30	-	10
接线范围	Wire Range	24-10		
单/多芯线	Solid/Stranded [AWG]			
耐电压	Withstanding Voltage	1600V/1Min		
IEC 技术参数		IEC60947-7-4		
IEC Technical Data				
过电压类别	Overtoltage Category	III	III	II
污染等级	Contamination Class	3	2	2
额定电压	Rated Voltage [V]	320	320	630
额定电流	Rated Current [A]	32	32	32
额定冲击电压	Impulse withstand voltage [KV]	4.0	4.0	4.0
导线截面积	Conductor cross section	0.5-4.0		
硬质/柔性导线	Solid/flexible [mm ²]			
材料				
绝缘材料	Insulation Material	PA66		
阻燃等级	Imflammability	UL94V-0		
导体材料	Contactur Material	铜合金 Copper alloy		
导体表面镀层	Contactive Coating	镀锡 Sn Plated		
一般参数				
间距	Pitch /极数 Poles [mm]/[P]	7.5 / 01~30		
剥线长度	Stripping Length [mm]	6~7		
螺丝	Screw/扭矩 Torque(Max) [N.m]	M3/0.5		
工作温度	Operating temperature [°C]	-40~105		
焊锡温度	Soldering temperature	250°C/5S		
引针尺寸	Pin Dimensions [mm]	0.8*0.9		
PCB板孔径	PCB Hole Diameter [mm]	Ø1.4		

linear dimension(Tolerances Standard GB/T 14486-2008)

variable range	to 6	over 6 to 10	over 10 to 30	over 30 to 60	over 60 to 100	over 100 to 160	to 10	over 10 to 100	over 100 to	
tolerance	±0.20	±0.30	±0.50	±0.70	±1.00	±1.30	±1.60	0.10	0.30	0.60

Contact:sales@nbkafeng.com

单位/UNITS	mm	尺寸/SIZE	A4	比例/SCALE	2:1	第三视角/THIRD ANGLE PROJECTION	版本/REV	V0
宁波咖峰电子有限公司 NINGBO KAFENG ELECTRONIC CO., LTD						名称/TITLE	DS4-7.5-XXP	