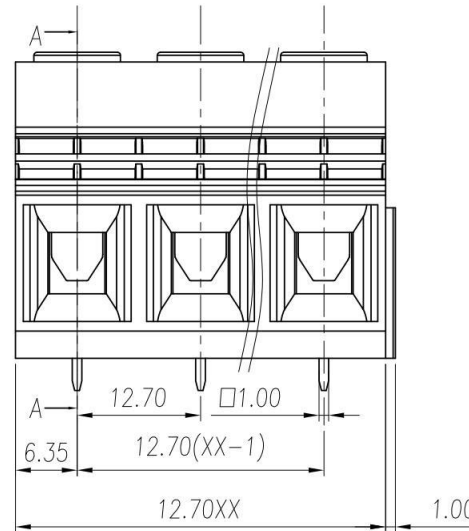
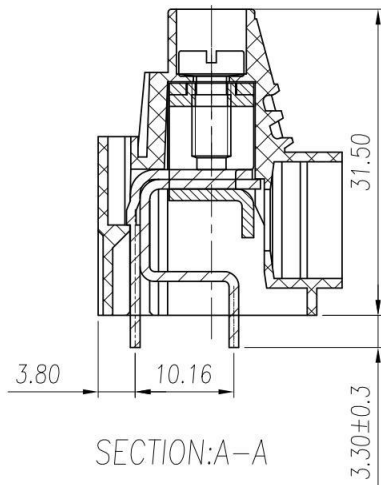
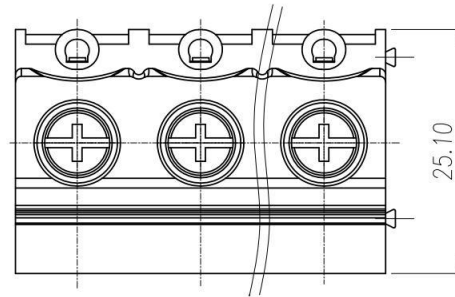
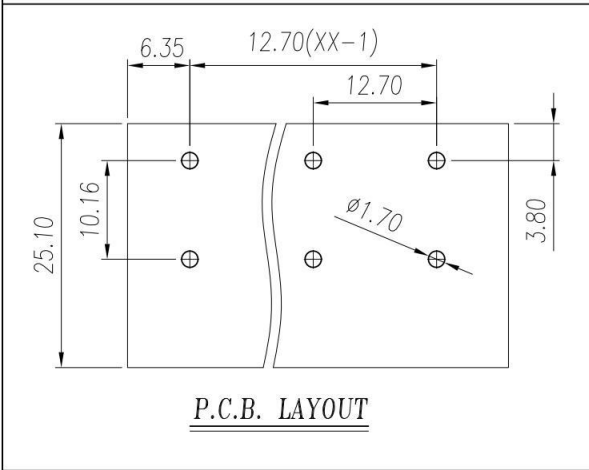


REVISION RECORD				
REV.	DESCRIPTION	ECN No.	APPROVED	DATE



UL/CUL 等级	UL/CUL 技术 参数	cUL [®] us		
等级	Use Group	B	C	D
额定电压	Rated Voltage [V]	600	600	600
额定电流	Rated Current [A]	65	65	5
接线范围	Wire Range	20-6		
单/多芯线	Solid/Stranded [AWG]	20-6		
耐电压	Withstanding Voltage	2200V/1Min		
IEC 技术参数	IEC Technical Data	IEC60947-7-4		
过电压类别	Overvoltage Category	III	III	II
污染等级	Contamination Class	3	2	2
额定电压	Rated Voltage [V]	1000	1000	1000
额定电流	Rated Current [A]	57	57	57
额定冲击电压	Impulse withstand voltagea [KV]	8.0	8.0	8.0
导线截面积	Conductor cross section	2.5-16		
硬质/柔性导线	Solid/flexible [mm ²]	2.5-16		
材料	Material			
绝缘材料	Insulation Material	PA66		
阻燃等级	Imflammability	UL94V-0		
导体材料	Contacting Material	铜合金 Copper alloy		
导体表面镀层	Contactive Coating	镀锡 Sn Plated		
一般参数	Other Data			
间距	Pitch /极数 Poles [mm] / [P]	12.7 / 02~16		
剥线长度	Stripping Length [mm]	11~12		
螺丝	Screw/扭矩 Torque(Max) [N.m]	M4/1.2		
工作温度	Operating temperatur [°C]	-40~105		
引针尺寸	Pin Dimensions [mm]	1.0*1.0		
PCB板孔径	PCB Hole Diameter [mm]	Ø1.7		

linear dimension(Tolerances Standard GB/T 14486-2008)							—	∠	⊥	
variable range	to 6	over 6 to 10	over 10 to 30	over 30 to 60	over 60 to 100	over 100 to 160	to 10	over 10 to 100	over 100 to	
tolerance	±0.20	±0.30	±0.50	±0.70	±1.00	±1.30	±1.60	0.10	0.30	0.60

Contact:sales@nbkafeng.com

单位 / UNITS	mm	尺寸 / SIZE	A4	比例 / SCALE	1:3:1	第三视角 / THIRD ANGLE PROJECTION	版本 / REV	V0
							名称 / TITLE	KF117-12.7-XXP
宁波咖峰电子有限公司 NINGBO KAFENG ELECTRONIC CO., LTD								