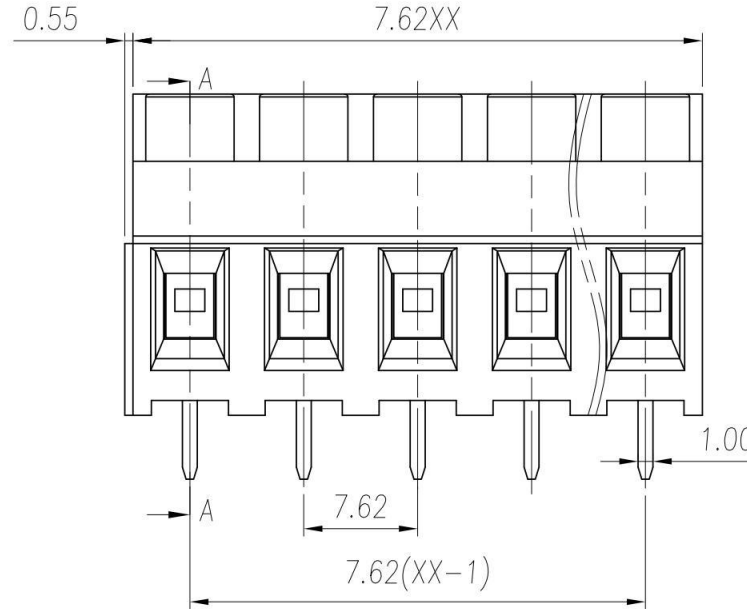
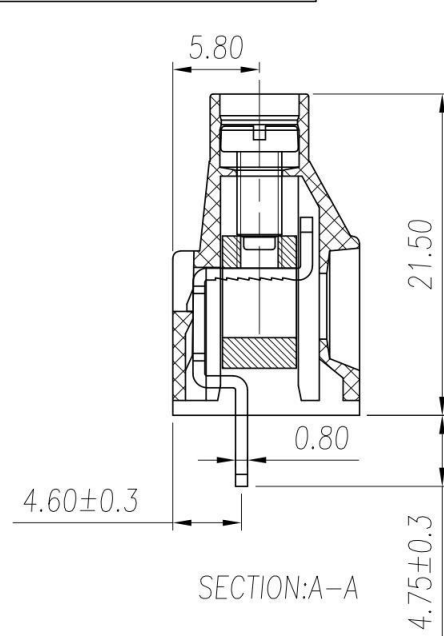
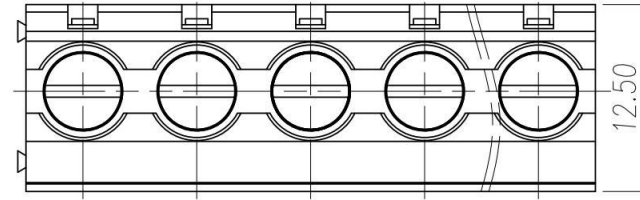
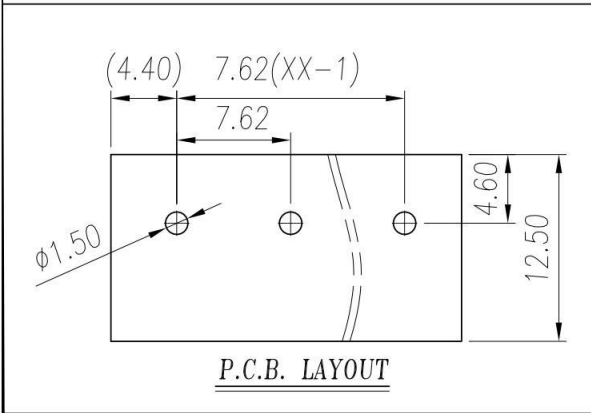


| REVISION RECORD | | | | |
|-----------------|-------------|---------|----------|------|
| REV. | DESCRIPTION | ECN No. | APPROVED | DATE |
| | | | | |
| | | | | |
| | | | | |



| UL/CUL 等级 | UL/CUL 技术 参数 | cRU [®] us | | |
|-----------|-----------------------------------|---------------------|-----|------|
| 等级 | Use Group | B | C | D |
| 额定电压 | Rated Voltage [V] | 300 | - | 300 |
| 额定电流 | Rated Current [A] | 30 | - | 10 |
| 接线范围 | Wire Range | 26-10 | | |
| 单/多芯线 | Solid/Stranded [AWG] | 26-10 | | |
| 耐电压 | Withstanding Voltage | 1600V/1Min | | |
| IEC 技术参数 | IEC Technical Data | IEC60947-7-4 | | |
| 过电压类别 | Overvoltage Category | III | III | II |
| 污染等级 | Contamination Class | 3 | 2 | 2 |
| 额定电压 | Rated Voltage [V] | 500 | 630 | 1000 |
| 额定电流 | Rated Current [A] | 32 | 32 | 32 |
| 额定冲击电压 | Impulse withstand voltagea [KV] | 6.0 | 6.0 | 6.0 |
| 导线截面积 | Conductor cross section | 0.5-4.0 | | |
| 硬质/柔性导线 | Solid/flexible [mm ²] | 0.5-4.0 | | |
| 材料 | Material | | | |
| 绝缘材料 | Insulation Material | PA66 | | |
| 阻燃等级 | Imflammability | UL94V-0 | | |
| 导体材料 | Contacting Material | 铜合金 Copper alloy | | |
| 导体表面镀层 | Contactive Coating | 镀锡 Sn Plated | | |
| 一般参数 | Other Data | | | |
| 间距 | Pitch / 极数 Poles [mm] / [P] | 7.62 / 02-24 | | |
| 剥线长度 | Stripping Length [mm] | 6~7 | | |
| 螺丝 | Screw/ 扭矩 Torque(Max) [N.m] | M3/0.5 | | |
| 工作温度 | Operating temperatur [°C] | -40~105 | | |
| 引针尺寸 | Pin Dimensions [mm] | 0.8*1.0 | | |
| PCB板孔径 | PCB Hole Diameter [mm] | Ø1.5 | | |

| linear dimension(Tolerances Standard GB/T 14486-2008) | | | | | | | — | ∕ | ⊥ | |
|---|-------|--------------|---------------|---------------|----------------|-----------------|-------|----------------|-------------|------|
| variable range | to 6 | over 6 to 10 | over 10 to 30 | over 30 to 60 | over 60 to 100 | over 100 to 160 | to 10 | over 10 to 100 | over 100 to | |
| tolerance | ±0.20 | ±0.30 | ±0.50 | ±0.70 | ±1.00 | ±1.30 | ±1.60 | 0.10 | 0.30 | 0.60 |

Contact:sales@nbkafeng.com

| | | | | | | | | |
|---|----|-----------|----|------------|-----|-------------------------------|------------|----------------|
| 单位 / UNITS | mm | 尺寸 / SIZE | A4 | 比例 / SCALE | 2:1 | 第三视角 / THIRD ANGLE PROJECTION | 版本 / REV | V0 |
| 宁波咖峰电子有限公司 NINGBO KAFENG ELECTRONIC CO., LTD | | | | | | | 名称 / TITLE | KF762-7.62-XXP |