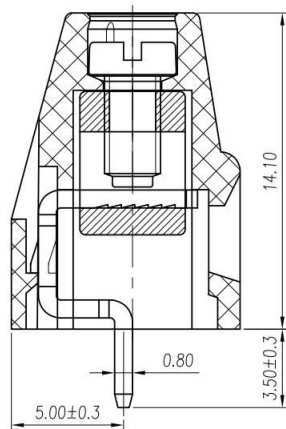
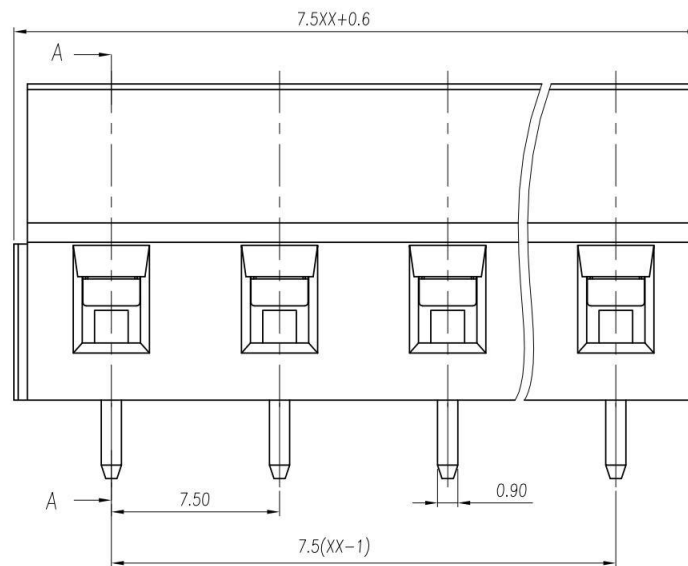
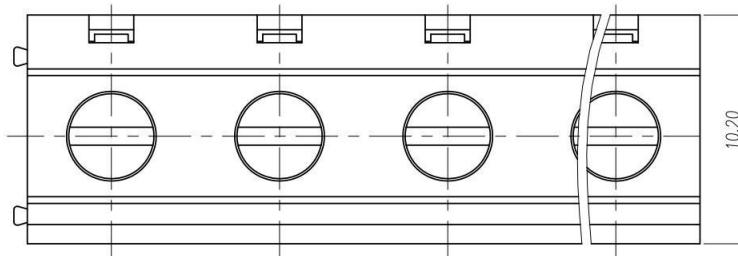


P.C.B. LAYOUT



SECTION:A-A



REVISION RECORD				
REV.	DESCRIPTION	ECN No.	APPROVED	DATE

UL/CUL 技术参数 UL/CUL Technical Data		UL®		
等级	Use Group	B	C	D
额定电压	Rated Voltage [V]	300	-	300
额定电流	Rated Current [A]	16	-	10
接线范围 单/多芯线	Wire Range Solid/Stranded [AWG]	22-12		
耐电压	Withstanding Voltage	1600V/1Min		
IEC 技术参数 IEC Technical Data		D'E		
过电压类别	Overvoltage Category	III	III	II
污染等级	Contamination Class	3	2	2
额定电压	Rated Voltage [V]	450	630	1000
额定电流	Rated Current [A]	20	20	20
额定冲击电压 Impulse withstand voltage	[KV]	6.0	6.0	6.0
导线截面积 硬质/柔性导线	Conductor cross section Solid/ flexible [mm ²]	0.5-2.5		
材料		Material		
绝缘材料	Insulation Material	PA66		
阻燃等级	Imflammability	UL94V-0		
导体材料	Contactive Material	铜合金 Copper alloy		
导体表面镀层	Contactive Coating	镀锡 Sn Plated		
一般参数		Other Data		
间距	Pitch / 极数 Poles [mm] / [P]	7.5/ 02~24		
剥线长度	Stripping Length [mm]	6~7		
螺丝	Screw/ 扭矩 Torque(Max) [N.m]	M2.5/0.4		
工作温度	Operating temperatur [°C]	-40~105		
引针尺寸	Pin Dimensions [mm]	0.8*0.9		
PCB板孔径	PCB Hole Diameter [mm]	∅1.5		

linear dimension(Tolerances Standard GB/T 14486-2008)										
variable range	to 6	over 6 to 10	over 10 to 30	over 30 to 60	over 60 to 100	over 100 to 160	over 160 to	over 10 to 100	over 100 to	
tolerance	±0.20	±0.30	±0.50	±0.70	±1.00	±1.30	±1.60	0.10	0.30	0.60

Contact:sales@nbkafeng.com

单位/UNITS	mm	尺寸/SIZE	A4	比例/SCALE	3:1	第三视角/THIRD ANGLE PROJECTION	版本/REV	V0
							名称/TITLE	KF128-7.5-XXP
宁波咖峰电子有限公司 NINGBO KAFENG ELECTRONIC CO., LTD								