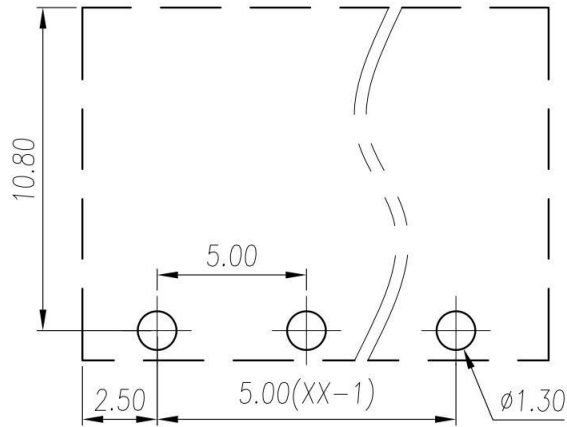
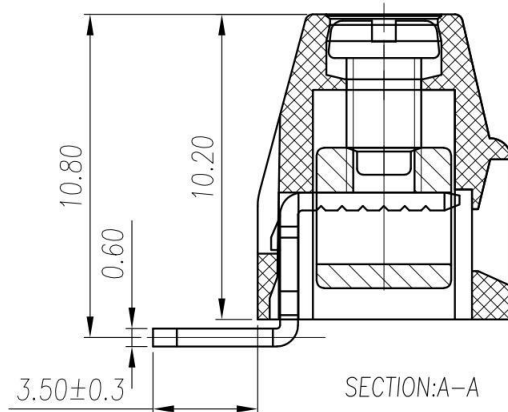


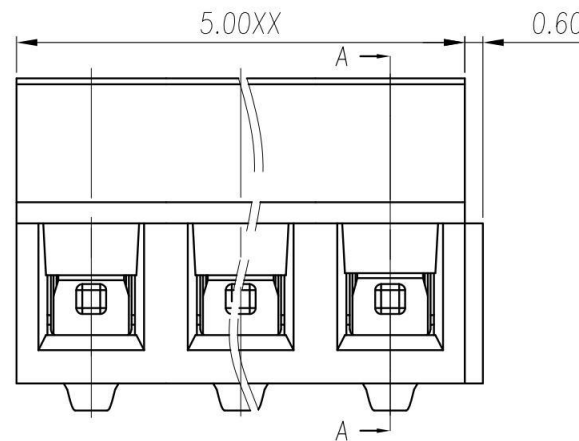
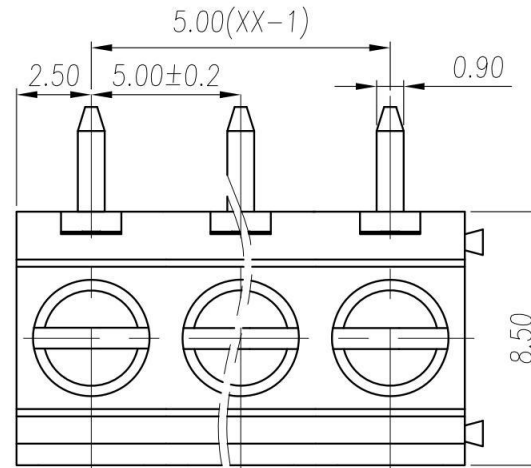
REVISION RECORD				
REV.	DESCRIPTION	ECN No.	APPROVED	DATE



P.C.B. LAYOUT



SECTION:A-A



UL/CUL 技术参数		UL/CUL Technical Data			
等级	Use Group	B	C	D	
额定电压	Rated Voltage [V]	300	-	300	
额定电流	Rated Current [A]	12	-	10	
接线范围	Wire Range				
单/多芯线	Solid/Stranded [AWG]				26-14
耐电压	Withstanding Voltage				1600V/1Min
IEC 技术参数		IEC60947-7-4			
IEC Technical Data					
过电压类别	Overvoltage Category	III	III	II	
污染等级	Contamination Class	3	2	2	
额定电压	Rated Voltage [V]	250	400	630	
额定电流	Rated Current [A]	17.5	17.5	17.5	
额定冲击电压	Impulse withstand voltage [KV]	4.0	4.0	4.0	
导线截面积	Conductor cross section				
硬质/柔性导线	Solid/ flexible [mm ²]				0.5-1.5
材料		Material			
绝缘材料	Insulation Material				PA66
阻燃等级	Imflammability				UL94V-0
导体材料	Contactur Material				铜合金 Copper alloy
导体表面镀层	Contactive Coating				镀锡 Sn Plated
一般参数		Other Data			
间距	Pitch /极数 Poles [mm]/[P]				5.0 / 02~24
剥线长度	Stripping Length [mm]				5~6
螺丝	Screw/扭矩 Torque(Max) [N.m]				M2.5/0.4
工作温度	Operating temperature [°C]				-40~105
引针尺寸	Pin Dimensions [mm]				0.6*0.9
PCB板孔径	PCB Hole Diameter [mm]				∅1.3

linear dimension(Tolerances Standard GB/T 14486-2008)										
variable range	to 6	over 6 to 10	over 10 to 30	over 30 to 60	over 60 to 100	over 100 to 160	over 160 to 10	over 10 to 100	over 100 to 100	
tolerance	±0.20	±0.30	±0.50	±0.70	±1.00	±1.30	±1.60	0.10	0.30	0.60

Contact:sales@nbkafeng.com

单位/UNITS	mm	尺寸/SIZE	A4	比例/SCALE	4:1	第三视角/THIRD ANGLE PROJECTION	版本/REV	V0
宁波咖峰电子有限公司 NINGBO KAFENG ELECTRONIC CO. LTD								
名称/TITLE	KF127R-5.0-XXP							