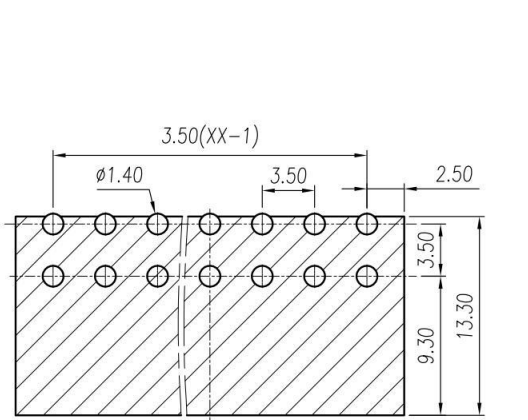
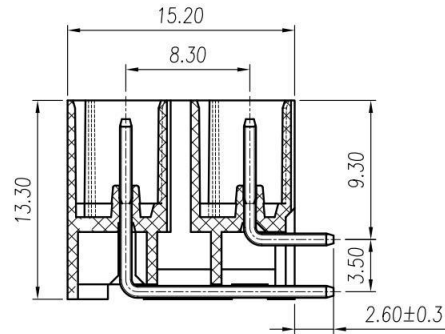
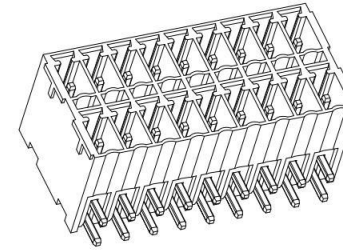
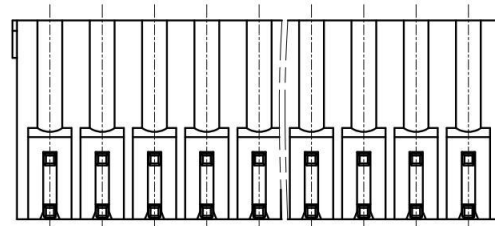
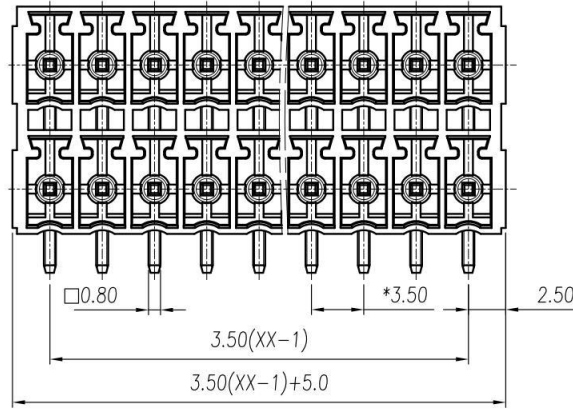


REVISION RECORD				
REV.	DESCRIPTION	ECN No.	APPROVED	DATE



P.C.B. LAYOUT



UL/CUL 技术参数		UL/CUL Technical Data			UL®		
等级	Use Group	B	C	D			
额定电压	Rated Voltage [V]	300	-	-			
额定电流	Rated Current [A]	8	-	-			
接线范围	Wire Range						
单/多芯线	Solid/Stranded [AWG]						
耐电压	Withstanding Voltage	1600V/1Min					
IEC 技术参数		IEC61984					
IEC Technical Data							
过电压类别	Overvoltage Category	III	III	II			
污染等级	Contamination Class	3	2	2			
额定电压	Rated Voltage [V]	160	160	250			
额定电流	Rated Current [A]	8	8	8			
额定冲击电压	Impulse withstand voltagea [KV]	2.5	2.5	2.5			
导线截面积	Conductor cross section						
硬质/柔性导线	Solid/flexible [mm ²]						
材料		Material					
绝缘材料	Insulation Material	LCP					
阻燃等级	Imflammability	UL94V-0					
导体材料	Contact Material	铜合金 Copper alloy					
导体表面镀层	Contactive Coating	镀锡 Sn Plated					
一般参数		Other Data					
间距	Pitch / 极数 Poles [mm]/[P]	3.5 / 2*02~2*24					
剥线长度	Stripping Length [mm]	-					
螺丝	Screw/ 扭矩 Torque(Max) [N.m]	-					
工作温度	Operating temperatur [°C]	-40~105					
引针尺寸	Pin Dimensions [mm]	0.8*0.8					
PCB板孔径	PCB Hole Diameter [mm]	Ø1.4					

linear dimension(Tolerances Standard GB/T 14486-2008)									
variable range	to 6	over 6 to 10	over 10 to 30	over 30 to 60	over 60 to 100	over 100 to 160	over 160 to 250	over 250 to 500	over 500 to 1000
tolerance	±0.20	±0.30	±0.50	±0.70	±1.00	±1.30	±1.60	0.10	0.30

Contact:sales@nbkafeng.com

单位/UNITS	mm	尺寸/SIZE	A4	比例/SCALE	2:1	第三视角/THIRD ANGLE PROJECTION	版本/REV	V0
宁波咖峰电子有限公司 NINGBO KAFENG ELECTRONIC CO.,LTD							名称/TITLE	KF15EDGRHB-3.5-2*XXP