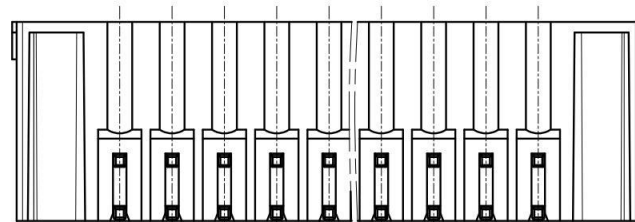
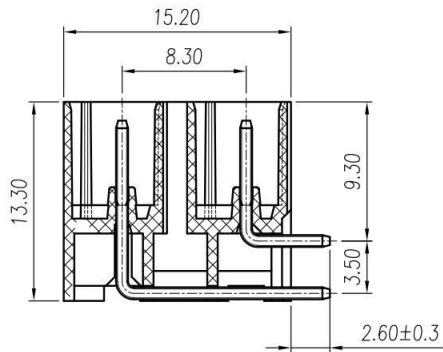
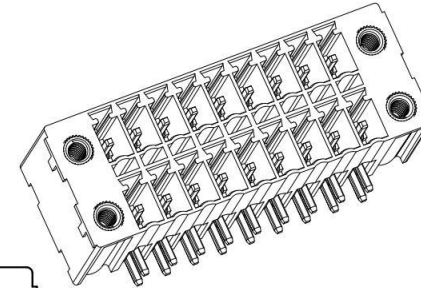
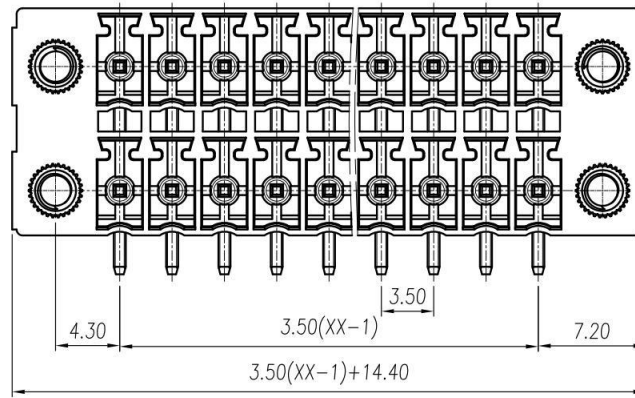
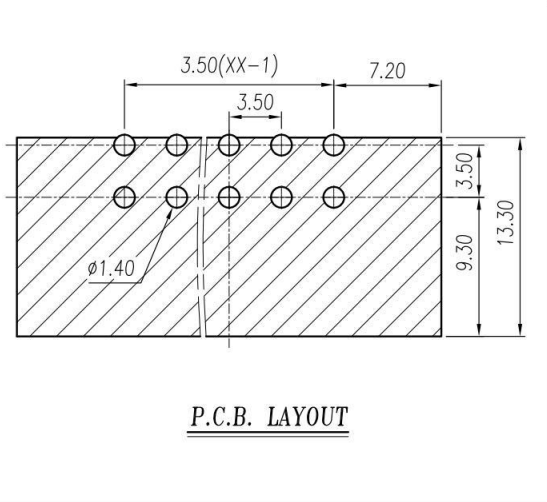


REVISION RECORD				
REV.	DESCRIPTION	ECN No.	APPROVED	DATE



UL/CUL 技术参数 UL/CUL Technical Data		UL® us		
等级	Use Group	B	C	D
额定电压	Rated Voltage [V]	300	-	-
额定电流	Rated Current [A]	8	-	-
接线范围 单/多芯线	Wire Range Solid/Stranded [AWG]	-		
耐电压	Withstanding Voltage	1600V/1Min		
IEC 技术参数 IEC Technical Data		IEC61984		
过电压类别	Overvoltage Category	III	III	II
污染等级	Contamination Class	3	2	2
额定电压	Rated Voltage [V]	160	160	250
额定电流	Rated Current [A]	8	8	8
额定冲击电压 Impulse withstand voltage	[KV]	2.5	2.5	2.5
导线截面积 硬质/柔性导线	Conductor cross section Solid/flexible [mm ²]	-		
材料 Material				
绝缘材料	Insulation Material	LCP		
阻燃等级	Imflammability	UL94V-0		
导体材料	Contactive Material	铜合金 Copper alloy		
导体表面镀层	Contactive Coating	镀锡 Sn Plated		
一般参数 Other Data				
间距 Pitch / 极数 Poles	[mm] / [P]	3.5 / 2*02-2*24		
剥线长度 Stripping Length	[mm]	-		
螺丝 Screw/ 扭矩 Torque(Max)	[N.m]	-		
工作温度 Operating temperatur	[°C]	-40~105		
引脚尺寸 Pin Dimensions	[mm]	0.8*0.8		
PCB板孔径 PCB Hole Diameter	[mm]	Ø1.4		

linear dimension(Tolerances Standard GB/T 14486-2008)										
variable range	to 6	over 6 to 10	over 10 to 30	over 30 to 60	over 60 to 100	over 100 to 160	over 160 to 10	over 10 to 100	over 100 to 100	
tolerance	±0.20	±0.30	±0.50	±0.70	±1.00	±1.30	±1.60	0.10	0.30	0.60

Contact:sales@nbkafeng.com

单位/UNITS	mm	尺寸/SIZE	A4	比例/SCALE	2:1	第三视角/THIRD ANGLE PROJECTION	版本/REV	V0
							名称/TITLE	KF15EDGRHBM-3.5-XXP
宁波咖峰电子有限公司 NINGBO KAFENG ELECTRONIC CO., LTD								