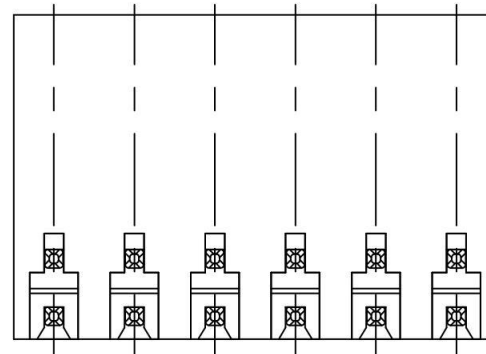
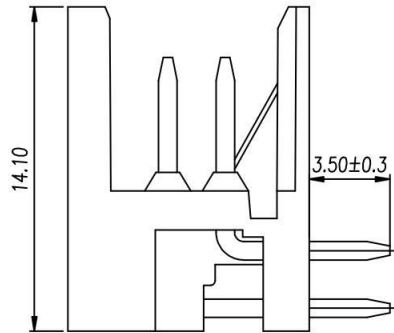
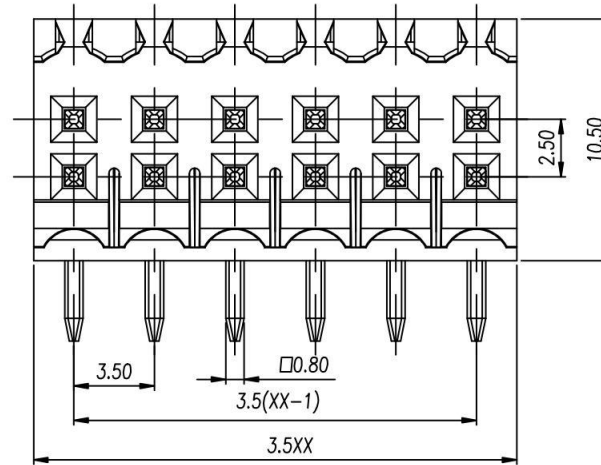
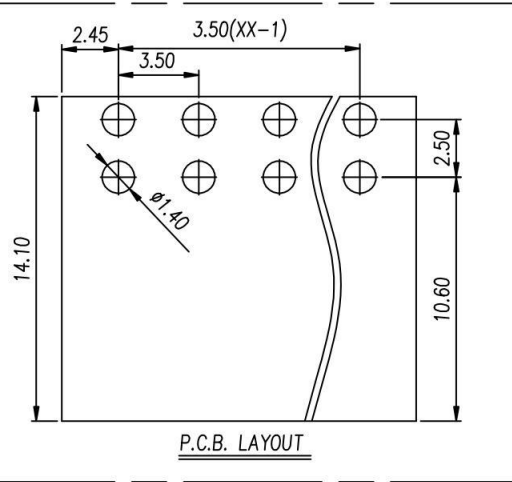


REVISION RECORD

REV.	DESCRIPTION	ECN No.	APPROVED	DATE



UL/CUL 技术参数				
UL/CUL Technical Data				
等级 Use Group	B	C	D	
额定电压 Rated Voltage [V]	150	-	-	
额定电流 Rated Current [A]	7	-	-	
接线范围 Wire Range	/			
单/多芯线 Solid/Stranded [AWG]				
耐电压 Withstanding Voltage	1300V/1Min			
IEC 技术参数	IEC 61984			
IEC Technical Data				
过电压类别 Overvoltage Category	III	III	II	
污染等级 Contamination Class	3	2	2	
额定电压 Rated Voltage [V]	80	125	250	
额定电流 Rated Current [A]	10	10	10	
额定冲击电压 Impulse withstand voltage [KV]	2.5	2.5	2.5	
导线截面积 Conductor cross section	/			
硬质/柔性导线 Solid/flexible [mm ²]				
材料 Material				
绝缘材料 Insulation Material	PA66			
阻燃等级 Imflammability	UL94V-0			
导体材料 Contactor Material	铜合金 Copper alloy			
导体镀层 Contactive Coating	镀锡 Sn Plated			
一般参数 Other Data				
间距 Pitch [mm]	3.5			
极数 Poles [P]	2*02~2*24			
剥线长度 Stripping Length [mm]	/			
螺丝 Screw	/			
扭矩 Torque(Max) [N.m]	/			
工作温度 Operating temperature [°C]	-40~105			

linear dimension(Tolerances Standard GB/T 14486-2008)

variable range	to 6	over 6 to 10	over 10 to 30	over 30 to 60	over 60 to 100	over 100 to 160	to 10	over 10 to 100	over 100 to 100	
tolerance	±0.20	±0.30	±0.50	±0.70	±1.00	±1.30	±1.60	0.10	0.30	0.60

Contact:sales@nbkafeng.com

单位 / UNITS	mm	尺寸 / SIZE	A4	比例 / SCALE	3:1	第三视角 / THIRD ANGLE PROJECTION	版本 / REV	V0
宁波咖峰电子有限公司 NINGBO KAFENG ELECTRONIC CO., LTD						名称 / TITLE	KF15EDGRHS-3.5-2*XXP	