

REVISION RECORD

REV.	DESCRIPTION	ECN No.	APPROVED	DATE

UL/CUL 技术参数
UL/CUL Technical Data



等级	Use Group	B	C	D
额定电压	Rated Voltage [V]	300	-	300
额定电流	Rated Current [A]	15	-	10
接线范围	Wire Range	28-12		
单/多芯线	Solid/Stranded [AWG]			
耐电压	Withstanding Voltage	1600V/1Min		

IEC 技术参数
IEC Technical Data

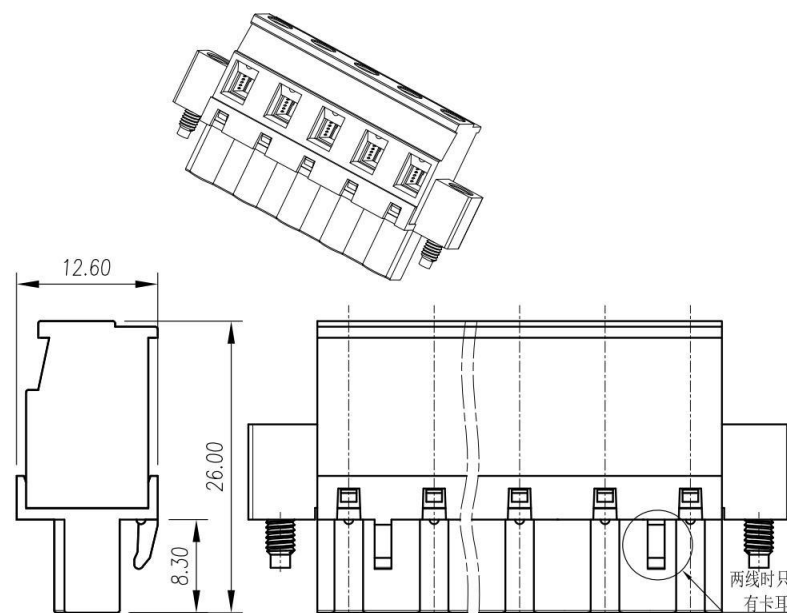
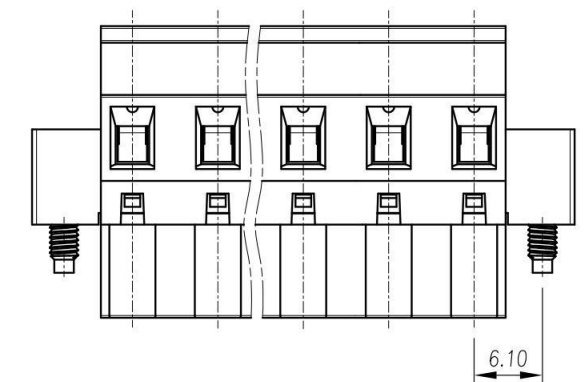
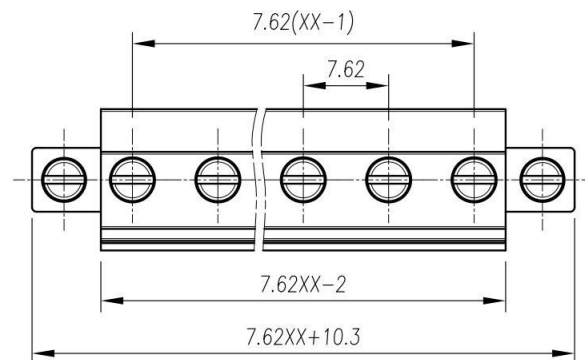
过电压类别	Overvoltage Category	III	III	II
污染等级	Contamination Class	3	2	2
额定电压	Rated Voltage [V]	500	630	1000
额定电流	Rated Current [A]	12	12	12
额定冲击电压	Impulse withstand voltage [KV]	6.0	6.0	6.0
导线截面积	Conductor cross section	0.2-2.5		
硬质/柔性导线	Solid/flexible [mm ²]			

材料 Material

绝缘材料	Insulation Material	PA66
阻燃等级	Imflammability	UL94V-0
导体材料	Contact Material	铜合金 Copper alloy
导体表面镀层	Contactive Coating	镀镍 Ni Plated

一般参数 Other Data

间距	Pitch / 极数 Poles [mm] / [P]	7.62 / 02-24
剥线长度	Stripping Length [mm]	7-8
螺丝	Screw/扭矩 Torque(Max) [N.m]	M3/0.5
工作温度	Operating temperature [°C]	-40~105
焊锡温度	Soldering temperature	-
引针尺寸	Pin Dimensions [mm]	-
PCB板孔径	PCB Hole Diameter [mm]	-



linear dimension(Tolerances Standard GB/T 14486-2008)							—	∕	⊥
variable range	to 6	over 6 to 10	over 10 to 30	over 30 to 60	over 60 to 100	over 100 to 160	to 0.10	over 0.10 to 0.30	over 0.30 to 0.60
tolerance	±0.20	±0.30	±0.50	±0.70	±1.00	±1.30 ±1.60	0.10	0.30	0.60

Contact:sales@nbkafeng.com

单位 / UNITS	mm	尺寸 / SIZE	A4	比例 / SCALE	1:1	第三视角 / THIRD ANGLE PROJECTION	版本 / REV	V0
宁波咖峰电子有限公司 NINGBO KAFENG ELECTRONIC CO., LTD							名称 / TITLE	KF2EDGKBM-7.62-XXP