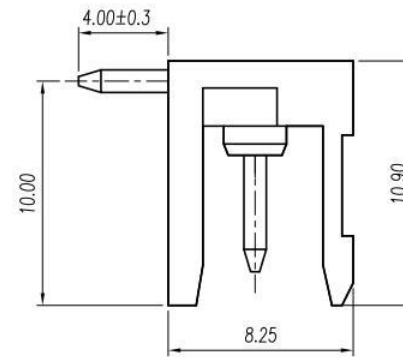
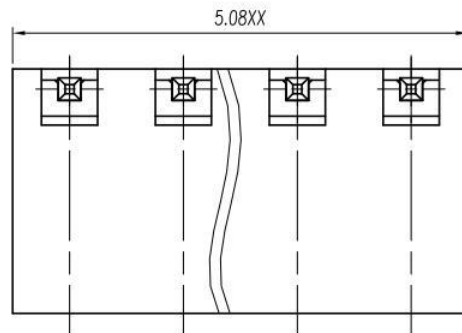
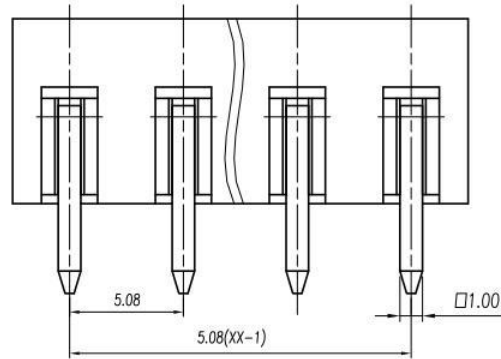
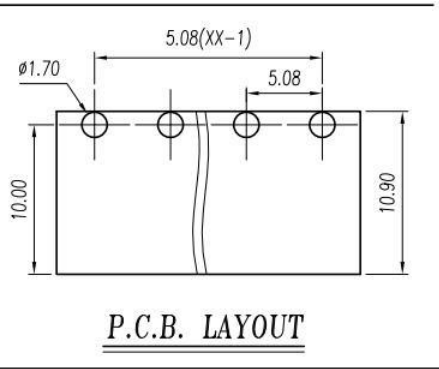


| REVISION RECORD |             |         |          |      |
|-----------------|-------------|---------|----------|------|
| REV.            | DESCRIPTION | ECN No. | APPROVED | DATE |
|                 |             |         |          |      |
|                 |             |         |          |      |
|                 |             |         |          |      |
|                 |             |         |          |      |



| UL/CUL 技术参数           |                                   |                  |     |     |
|-----------------------|-----------------------------------|------------------|-----|-----|
| UL/CUL Technical Data |                                   |                  |     |     |
| 等级                    | Use Group                         | B                | C   | D   |
| 额定电压                  | Rated Voltage [V]                 | 300              | -   | -   |
| 额定电流                  | Rated Current [A]                 | 10               | -   | -   |
| 接线范围                  | Wire Range                        | -                |     |     |
| 单/多芯线                 | Solid/Stranded [AWG]              | -                |     |     |
| 耐电压                   | Withstanding Voltage              | 1600V/1Min       |     |     |
| IEC 技术参数              |                                   |                  |     |     |
| IEC Technical Data    |                                   |                  |     |     |
| 过电压类别                 | Overvoltage Category              | III              | III | II  |
| 污染等级                  | Contamination Class               | 3                | 2   | 2   |
| 额定电压                  | Rated Voltage [V]                 | 250              | 320 | 400 |
| 额定电流                  | Rated Current [A]                 | 12               | 12  | 12  |
| 额定冲击电压                | Impulse withstand voltage [KV]    | 4.0              | 4.0 | 4.0 |
| 导线截面积                 | Conductor cross section           | -                |     |     |
| 硬质/柔性导线               | Solid/flexible [mm <sup>2</sup> ] | -                |     |     |
| 材料                    |                                   |                  |     |     |
| 绝缘材料                  | Insulation Material               | PA66             |     |     |
| 阻燃等级                  | Imflammability                    | UL94V-0          |     |     |
| 导体材料                  | Contact Material                  | 铜合金 Copper alloy |     |     |
| 导体表面镀层                | Contactive Coating                | 镀锡 Sn Plated     |     |     |
| 一般参数                  |                                   |                  |     |     |
| 间距                    | Pitch / 极数 Poles [mm] / [P]       | 5.08 / 02~24     |     |     |
| 剥线长度                  | Stripping Length [mm]             | -                |     |     |
| 螺丝                    | Screw/ 扭矩 Torque(Max) [N.m]       | -                |     |     |
| 工作温度                  | Operating temperature [°C]        | -40~105          |     |     |
| 焊锡温度                  | Soldering temperature             | 250°C/5S         |     |     |
| 引脚尺寸                  | Pin Dimensions [mm]               | 1.0*1.0          |     |     |
| PCB板孔径                | PCB Hole Diameter [mm]            | Ø1.7             |     |     |

| linear dimension(Tolerances Standard GB/T 14486-2008) |       |              |               |               |                |                 |                 | —     | ∠              | ⊥      |
|---|-------|--------------|---------------|---------------|----------------|-----------------|-----------------|-------|----------------|--------|
| variable range  | to 6  | over 6 to 10 | over 10 to 30 | over 30 to 60 | over 60 to 100 | over 100 to 160 | over 160 to 100 | to 10 | over 10 to 100 | to 100 |
| tolerance   | ±0.20 | ±0.30        | ±0.50         | ±0.70         | ±1.00          | ±1.30           | ±1.60           | 0.10  | 0.30           | 0.60   |

Contact:sales@nbkafeng.com

| 单位 / UNITS                                      | mm | 尺寸 / SIZE | A4 | 比例 / SCALE | 3:1 | 第三视角 / THIRD ANGLE PROJECTION | 版本 / REV   | V0                      |
|---|----|-----------|----|------------|-----|-------------------------------|------------|-------------------------|
| 宁波咖峰电子有限公司<br>NINGBO KAFENG ELECTRONIC CO., LTD |    |           |    |            |     |                               | 名称 / TITLE | HT508R-5.08-XXP-1YY-00A |